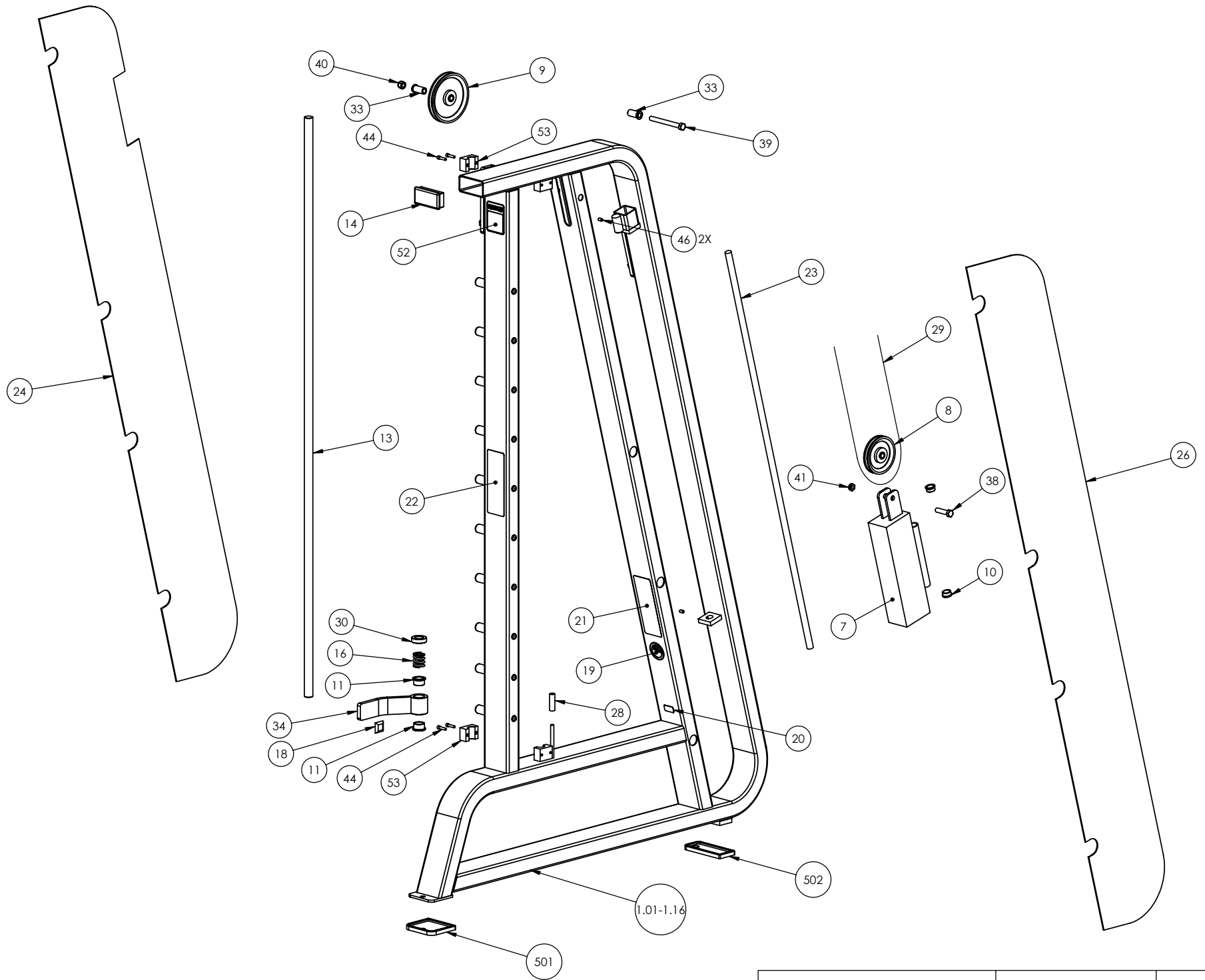
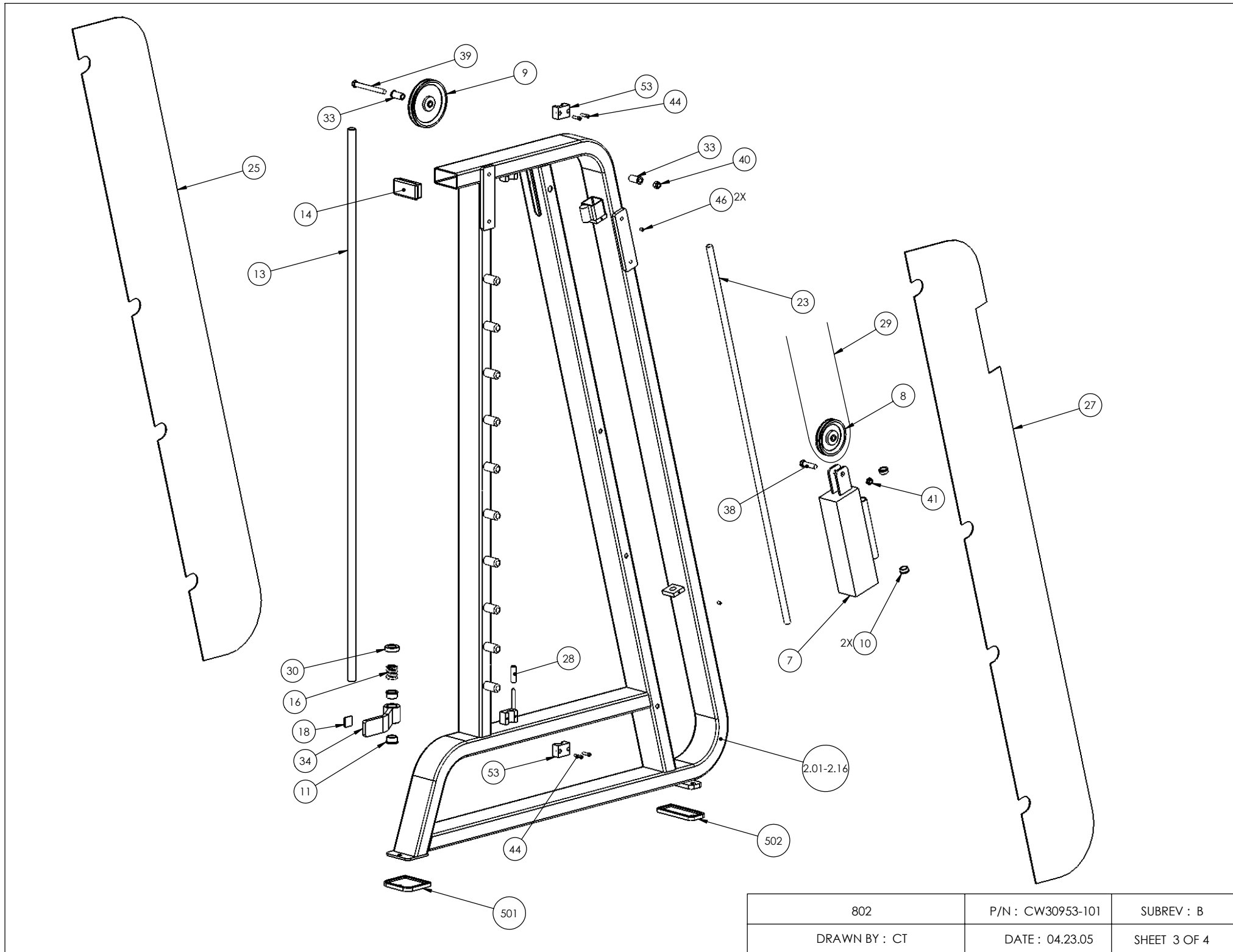


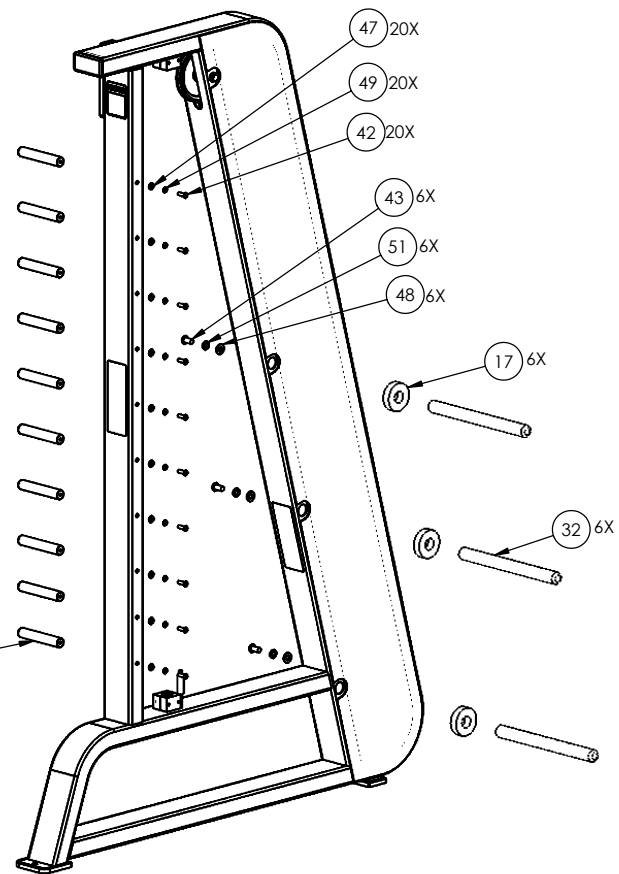
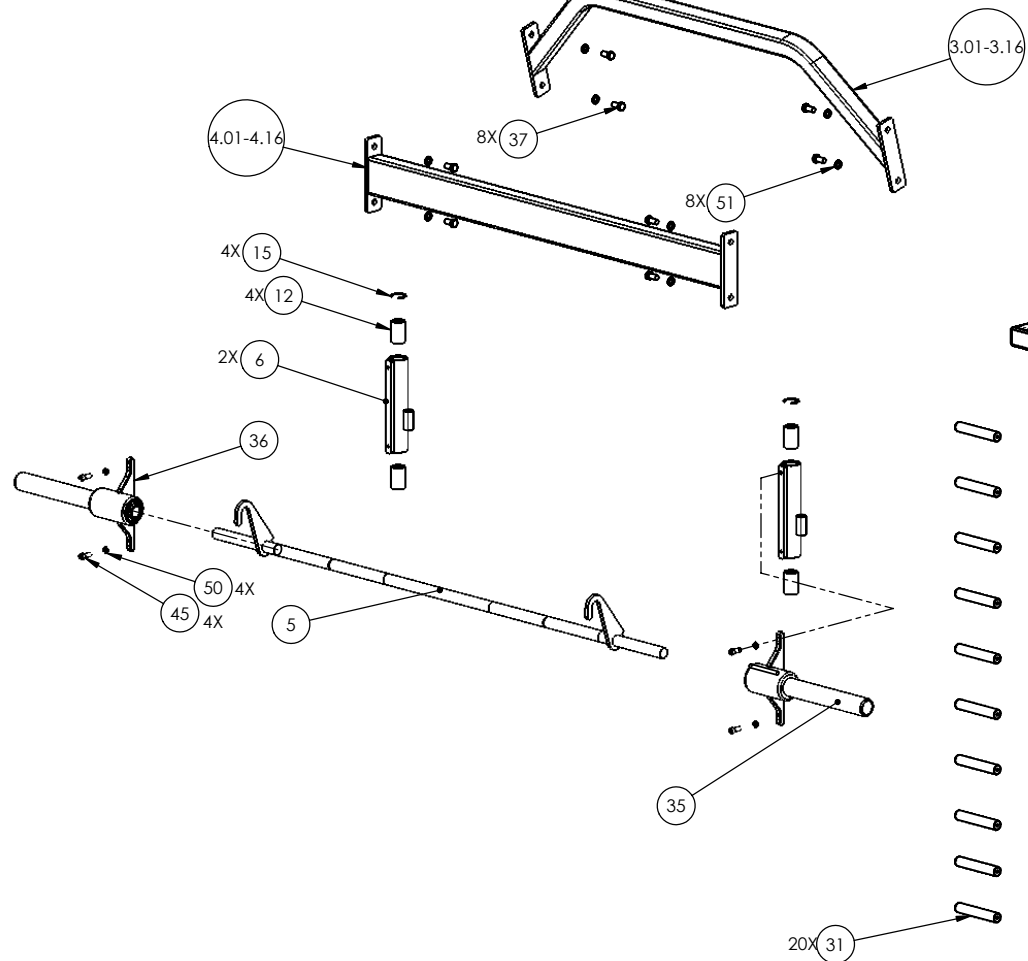
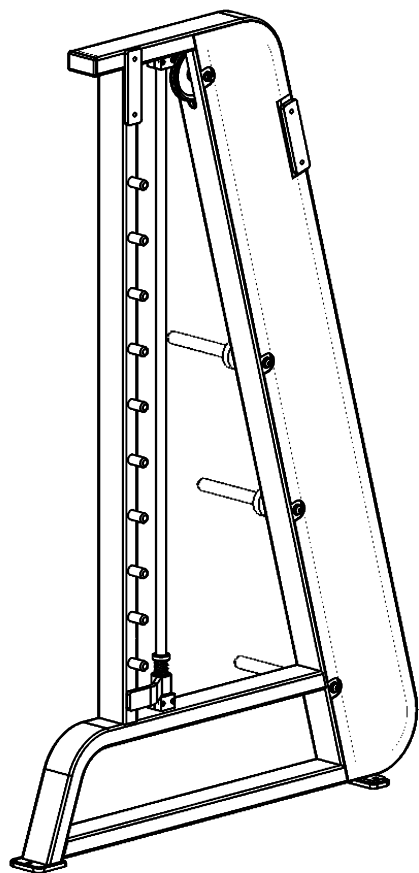
802	P/N : CW30953-101	SUBREV : B
DRAWN BY : CT	DATE : 04.23.05	SHEET 1 OF 4



802	P/N : CW30953-101	SUBREV : B
DRAWN BY : CT	DATE : 04.23.05	SHEET 2 OF 4



802	P/N : CW30953-101	SUBREV : B
DRAWN BY : CT	DATE : 04.23.05	SHEET 3 OF 4



**COMPONENTS OMITTED
FOR CLARITY**

802	P/N : CW30953-101	SUBREV : B
DRAWN BY : CT	DATE : 04.23.05	SHEET 4 OF 4

802 Smith Machine

Part Number	Description	Bubble Number
CW802SA1L-311	ASSY,FRAME,LEFT,802,STONE HG	1
CW802SA1L-211	ASSY,FRAME,LEFT,802,SKY WHITE	1.01
CW802SA1L-221	ASSY,FRAME,LEFT,802,BLACK	1.02
CW802SA1L-231	ASSY,FRAME,LEFT,802,RED	1.03
CW802SA1L-241	ASSY,FRAME,LEFT,802,PLAT SPRKLE	1.04
CW802SA1L-251	ASSY,FRAME,LEFT,802,SILVER	1.05
CW802SA1L-261	ASSY,FRAME,LEFT,802,BLUE	1.06
CW802SA1L-271	ASSY,FRAME,LEFT,802,CHARCOAL	1.07
CW802SA1L-281	ASSY,FRAME,LEFT,802,CATH GRAY	1.08
CW802SA1L-291	ASSY,FRAME,LEFT,802,SILVER VIEN	1.09
CW802SA1L-301	ASSY,FRAME,LEFT,802,CUSTOM	1.1
CW802SA1L-321	ASSY,FRAME,LEFT,802,TITANIUM HG	1.12
CW802SA1L-331	ASSY,FRAME,LEFT,802,WHITE GLOSS	1.13
CW802SA1L-341	ASSY,FRAME,LEFT,802,BLACK ONYX	1.14
CW802SA1L-351	ASSY,FRAME,LEFT,802,LT. BRONZE	1.15
CW802SA1L-361	ASSY,FRAME,LEFT,802,SAPPHIRE BL	1.16
CW802SA1R-311	ASSY,FRAME,RIGHT,802,STONE HG	2
CW802SA1R-211	ASSY,FRAME,RIGHT,802,SKY WHITE	2.01
CW802SA1R-221	ASSY,FRAME,RIGHT,802,BLACK	2.02
CW802SA1R-231	ASSY,FRAME,RIGHT,802,RED	2.03
CW802SA1R-241	ASSY,FRAME,RIGHT,802,PLAT SPRKLE	2.04
CW802SA1R-251	ASSY,FRAME,RIGHT,802,SILVER	2.05
CW802SA1R-261	ASSY,FRAME,RIGHT,802,BLUE	2.06
CW802SA1R-271	ASSY,FRAME,RIGHT,802,CHARCOAL	2.07
CW802SA1R-281	ASSY,FRAME,RIGHT,802,CATH GRAY	2.08
CW802SA1R-291	ASSY,FRAME,RIGHT,802,SILVER VIEN	2.09
CW802SA1R-301	ASSY,FRAME,RIGHT,802,CUSTOM	2.1
CW802SA1R-321	ASSY,FRAME,RIGHT,802,TITANIUM HG	2.12
CW802SA1R-331	ASSY,FRAME,RIGHT,802,WHITE GLOSS	2.13
CW802SA1R-341	ASSY,FRAME,RIGHT,802,BLACK ONYX	2.14
CW802SA1R-351	ASSY,FRAME,RIGHT,802,LT. BRONZE	2.15
CW802SA1R-361	ASSY,FRAME,RIGHT,802,SAPPHIRE BL	2.16
CW802SA2-311	ASSY,BENT STRUT,802,STONE HG	3
CW802SA2-211	ASSY,BENT STRUT,802,SKY WHITE	3.01
CW802SA2-221	ASSY,BENT STRUT,802,BLACK	3.02
CW802SA2-231	ASSY,BENT STRUT,802,RED	3.03
CW802SA2-241	ASSY,BENT STRUT,802,PLATINUM SPRKLE	3.04
CW802SA2-251	ASSY,BENT STRUT,802,SILVER	3.05
CW802SA2-261	ASSY,BENT STRUT,802,BLUE	3.06
CW802SA2-271	ASSY,BENT STRUT,802,CHARCOAL	3.07
CW802SA2-281	ASSY,BENT STRUT,802,CATHEDRAL GRAY	3.08
CW802SA2-291	ASSY,BENT STRUT,802,SILVER VEIN	3.09
CW802SA2-321	ASSY,BENT STRUT,802,TITANIUM HG	3.12
CW802SA2-331	ASSY,BENT STRUT,802,WHITE GLOSS	3.13
CW802SA2-341	ASSY,BENT STRUT,802,BLACK ONYX	3.14
CW802SA2-351	ASSY,BENT STRUT,802,LIGHT BRONZE	3.15
CW802SA2-361	ASSY,BENT STRUT,802,SAPPHIRE BLUE	3.16
CW802SA3-311	ASSY,STRAIGHT STRUT,802,STONE HG	4
CW802SA3-211	ASSY,STRAIGHT STRUT,802,SKY WHITE	4.01

CW802SA3-221	ASSY,STRAIGHT STRUT,802,BLACK	4.02
CW802SA3-231	ASSY,STRAIGHT STRUT,802,RED	4.03
CW802SA3-241	ASSY,STRAIGHT STRUT,802,PLATINUM GR	4.04
CW802SA3-251	ASSY,STRAIGHT STRUT,802,SILVER	4.05
CW802SA3-261	ASSY,STRAIGHT STRUT,802,BLUE	4.06
CW802SA3-271	ASSY,STRAIGHT STRUT,802,CHARCOAL	4.07
CW802SA3-281	ASSY,STRAIGHT STRUT,802,CATHEDRAL G	4.08
CW802SA3-291	ASSY,STRAIGHT STRUT,802,SILVER VEIN	4.09
CW802SA3-321	ASSY,STRAIGHT STRUT,802,TITANIUM HG	4.12
CW802SA3-331	ASSY,STRAIGHT STRUT,802,WHITE GLOSS	4.13
CW802SA3-341	ASSY,STRAIGHT STRUT,802,BLACK ONYX	4.14
CW802SA3-351	ASSY,STRAIGHT STRUT,802,LIGHT BRONZ	4.15
CW802SA3-361	ASSY,STRAIGHT STRUT,802,SAPPHIRE BL	4.16
CW802SA4-731	ASSY,OLYMPIC BAR,BLK ZN	5
CW802SA5-721	ASSY,BARREL HOUSING,WRKL BLK	6
CW802SA6-721	ASSY, COUNTERWEIGHT, 3" THICK, WRKL	7
CWAC1009-101	PULLEY, 4 1/2 DIA. X 1/2 ID	8
CWAC1010-101	PULLEY, 6 DIA X 1/2 ID	9
CW10043-133	BUSHING, BRONZE, 3/4" ID X 1" OD	10
CW10043-134	BUSHING, BRONZE, 1" ID X 1 1/4" OD	11
CW12571-101	LINEAR BEARING, CLOSED TYPE, 1.000/	12
CWPF3500-901	GUIDE ROD,STEEL,OD .0998X70.5 CASE	13
CW11311-102	ENDCAP, REC TUBE, 2X4, BLK PLASTIC	14
CWACHN125-006	SNAP RING RETAINER,(SUPER 16)	15
CWAC1135-731	SPRING, COMPRESSION, 1 9/32 OD X 1	16
CW12402-101	BUMPER, WEIGHT STACK, BLK RUBBER	17
CW12575-101	MOULDED BUMPON, BLACK, 31.75MM SQ (18
CWPF1214-711	GUIDE ROD,STEEL,OD 3/4 X 52 5/8, CH	23
CW30518-101	CUT PIECE, ABS BLACK, 1/8 X 11 3/8	24
CW30519-101	CUT PIECE, ABS BLACK,1/8 X 11 3/8 X	25
CWCPC1150-101	CUT PIECE, ABS BLACK, 1/8 X 11 3/8	26
CWCPC1150-102	CUT PIECE, ABS BLACK, 1/8 X 11 3/8	27
CW10340-200	TUBE, VINYL, 5/8 OD X 3/8 ID X 2.0	28
CWCLGG102-000	ASSY, CABLE, 802	29
CWPF1238-731	TUBE,STEEL RND DOM 1 3/4 OD X 1 ID	30
CWPF1247-741	BAR,STEEL, RND, DIA 1" X (5 7/8), T	31
CWPF1468-741	BAR,STEEL RND, DIA 1 1/4" X (14), 1	32
CWPF3186-741	BAR,STEEL, RND, DIA. 1" X (1 1/2),	33
CWSA1107-721	ASSY,SWIVEL STOP	34
CWSA1113-741	ASSY,CUSTOM WEIGHT BAR,LEFT,802,	35
CWSA1114-741	ASSY,CUST.WEIGHT BAR,RIGHT,802,CLR	36
CWHCYN050-100	SCREW,HEX HEAD,BLK XYLAN,1/2-13 X 1	37
CWHCYN050-200	SCREW, HEX HEAD, BLK XYLAN, 1/2-13	38
CWHCYN050-500	SCREW, HEX HEAD, BLK XYLAN, 1/2-13	39
CWKDYN050-059	LOCKNUT, NYLON INSERT, FULL, UNC, 1	40
CWKAYN050-031	LOCKNUT, NYLON INSERT, HALF, UNC, 1	41
CWTAYN031-100	SCREW, BUTTON HEAD, BLK XYLAN, 5/1	42
CWTAYN050-100	SCREW, BUTTON HEAD, BLK XYLAN, 1/2	43
CWCAYN025-100	SCREW, SOCKET HEAD, BLK XYLAN, 1/4	44
CWCAYN038-100	SCREW, SOCKET HEAD, BLK XYLAN, 3/	45
CWEANN031-050	SCREW,SET,SCKT,CUP POINT,5/16-18 X	46

CWWBKN031-007	WASHER, FLAT, TYPE A, SAE, 5/16 ID	47
CWWBKN050-010	WASHER, FLAT, TYPE A, SAE, 1/2 ID X	48
CWWALYN031-008	WASHER, SPLIT, 5/16 ID, BL	49
CWWALYN038-009	WASHER, SPLIT, 3/8 ID, BLK XYLAN	50
CWWALYN050-013	WASHER, SPLIT, 1/2 ID, BLK XYLAN	51
CW31759-101	LABEL, SMALL PRECOR USA ICARIAN LINE	52
CWPF1472-311	SHAFT COLLAR, SQR BLOCK, 1-1/2 X 1 X	53
CWAC1177-101	FLOOR PROTECTOR, RUBBER, 4.563 X 4.	501
CWAC1178-101	FLOOR PROTECTOR, RUBBER, 2.563 X 6.	502